

# **MT-09**



Dodatna oprema

## DISCOVER THE DARKER SIDE

Yamaha MT-09 is a whole new concept in sport bike design. With a compact new chassis and high-torque 3-cylinder engine, this new generation performance machine is designed for riders who appreciate character and soul. On the next few pages you will discover a whole range of accessories – from practical to cool – enabling you to customise.



1RC248D00000	MT-09 TOP CASE CARRIER MBL
1RC248D01000	MT-09 TOP CASE CARRIER S
1RC247F00000	MT-09 SEAT COVER MBL2
1RC247C00000	MT-09 COMFORT SEAT
1RC234A00000	MT-09 GPS STAY
1RC211D00000	MT-09 SIDE SLIDERS
1RC261C00000	MT-09 FLY SCREEN
1RCF16E00000	LPH - MT-09 (2014)
1RCF28370000	MT-09 AIR SCOOP MESH
1RCF24670000	MT-09 RADIATOR SIDE COVER
1RCF23110000	MT-09 CHAIN GUARD
1RCFTPAD0000	MT-09 TANK PAD
1RCF39220000	MT-09 BRAKE LEVER BLACK
1RCF39120000	MT-09 CLUTCH LEVER BLACK
1RCF81100000	MT-09 REAR SET BLACK
1RCF53890000	MT-09 CHAIN ADJUSTER TITANIUM
1RCF73110000	MT-09 SIDE STAND EXTENTION ALU
YMESSBAG0000	SOFT SIDE BAGS
1RCFSSBS0000	MT-09 STAY SOFT SIDE BAGS
YMEFTBAGTR00	TANK BAG - TOUR
YMEFTBAGCT00	TANK BAG - CITY
YMEFTBAGRG00	TANK BAG RING
1RCF254B0000	MT-09 12V DC KIT
YMEFUSBA0000	USB ADAPTOR
YMEPHHLS0000	IPHONE HOLDER SMALL
YMEPHHLB0000	IPHONE HOLDER BIG
TBC	MT-09 (2014) - FULL SYS TI
YMEW07890000	LED BLINKERS SET ARROW BLACK
YMEW07891000	LED BLINKERS SET ARROW CHROME
YMEW07892000	LED BLINKERS SET ARROW CARBON
52SF84A80000	TOP CASE 39L MATT BLACK
34BF84A81000	TOP CASE 50L MATT BLACK
52S217800900	KEY CILINDER SET STANDARD
59C281C00000	KEY CILINDER SET ONE KEY OPERATION
37PF84U0A000	BACK REST 39L TOP CASE
37PF84U0B000	BACK REST 50L TOP CASE
YMEBAG390000	INNER BAG TOP CASE 50L
YMEBAG500000	INNER BAG TOP CASE 50L
C13IN101100L	UNIT COVER - INDOOR LARGE
C13UT101100L	UNIT COVER - OUTDOOR LARGE



### Seat Cover

1RC247F00000 MT-09 SEAT COVER MBL2

Cover for the passenger seat

- Transforms bike into a single-seater for a sportier look
- Easily installed, specifically designed to fit the unit
- Available in MBL2
- Material: Injection-moulded painted ABS



### Fly Screen

1RC261C00000 MT-09 FLY SCREEN

Stylish smoke polycarbonate screen for improved wind protection

- Gives added styling to model
- Designed for improved wind protection
- Easy installation, specifically designed to fit the unit
- Material: Dark smoke 2,5 mm polycarbonate



### License Plate holder & LED blinkers

1RCF16E00000 LPH - MT-09 (2014)

Stylish license plate holder to replace the original

- Adds more style to your bike
- Features MT logo
- Supports the standard flashers and the optional black, chrome or carbon-look LED flashers
- Includes LED license plate light
- Includes bracket for original reflector
- Material: Black anodized aluminium
- Certified conformity (CE/TÜV/WVTA): CE (for license plate light)



### Top case carrier

1RC248D00000	MT-09 TOP CASE CARRIER MBL	Matt black
1RC248D01000	MT-09 TOP CASE CARRIER S	Silver

Aluminium luggage carrier to be mounted at the rear of the bike

- Designed to fit the optional 39L & 50L top cases without any mounting materials
- With integrated passenger hand grips
- Small modification of rear cowling is required
- Material: Die-cast aluminium, matt black or silver painted



\* Picture shown is not the final product

### Top cases

52SF84A80000	TOP CASE 39L MATT BLACK
34BF84A81000	TOP CASE 50L MATT BLACK
52S217800900	KEY CILINDER SET STANDARD
59C281C00000	KEY CILINDER SET ONE KEY OPERATION
37PF84U0A000	BACK REST 39L TOP CASE
37PF84U0B000	BACK REST 50L TOP CASE
YMEBAG390000	INNER BAG TOP CASE 50L
YMEBAG500000	INNER BAG TOP CASE 50L

Quality top case for extra luggage/storage capacity on your MT-09, exclusively designed for Yamaha Motor by ELM Design hrrope

- Easy to install and remove from your Yamaha
- Can hold one (39L) or two (50L) (full face) helmet or riding gear.
- Available standard in Matt Black. Possibility, though, to change the colour of the lid to one that either matches your Yamaha or to a contrasting colour. See the available colours for the lid separately.
- Solid & durable double shell construction
- Can be locked and for added convenience even with a single key operation system
- Accessories: Passenger Back Rests and Inner Bags
- With handle to easy carry around when removed from your MT-09
- Large reflectors to enhance visibility in low-light conditions
- Material: Injected PP (body & lid) / Injected PMMA (reflectors)



### Comfort seat

1RC247C00000 MT-09 COMFORT SEAT

Exclusively designed seat to replace the original, offering added comfort.

- For extra style and added comfort
- Features embossed MT-09 logo on the back
- Same high quality material as the standard MT-09 seat and with nice detailed red stitched finish
- Material: Seat skin over polyurethane foam



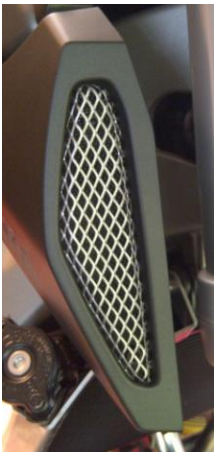
### Side sliders

1RC211D00000 MT-09 SIDE SLIDERS

Protectors placed on either side of the MT-09 to prevent accidental damage to the engine and frame as much as possible.

- High quality and durable nylon
- No influence on the banking angle of the unit
- Features MT-09 logo on the stylish anodised aluminium side plates
- Easily installed to the engine mounts
- Material: injected nylon and anodised aluminium plates





### Air scoop mesh

1RCF28370000 MT-09 AIR SCOOP MESH

Exclusively designed set of stainless steel mesh to for a better appearance of your MT-09

- For additional style
- Material: stainless steel mesh

\* Picture shown is not the final product



### Radiator side covers

1RCF24670000 MT-09 RADIATOR SIDE COVER

Exclusively designed set of radiator side cover offering additional style to the MT-09

- Featuring MT logo on both sides
- For additional styling, matching the optional 2 colour chain guard
- Material: silver anodised high quality aluminium

\* Picture shown is not the final product

### Chain guard

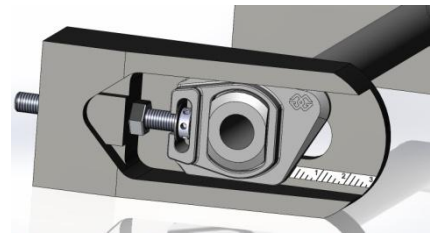
1RCF23110000 MT-09 CHAIN GUARD

Exclusively designed double colour chain guard to replace the standard plastic chain guard.

- For extra style, matching the MT-09 and the optional radiator side cover
- Material: 2 high quality aluminium components, each anodised in a different colour (black and silver)



\* Picture shown is not the final product



\* Picture shown is not the final product

### Chain adjuster

1RCF53890000 MT-09 CHAIN ADJUSTER TITANIUM

Exclusively designed and produced by Gilles Tooling, a set of billet chain adjusters for the MT-09

- Featuring MT logo and Gilles Tooling logo on both sides
- Material: titanium coloured anodised high quality billet aluminium



\* Picture shown is not the final product

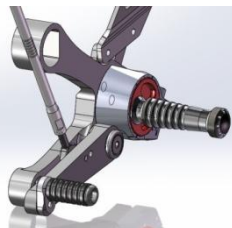
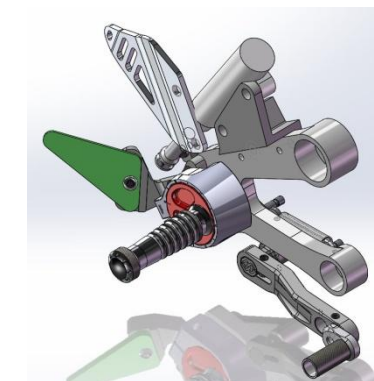
### Levers

1RCF39220000 MT-09 BRAKE LEVER BLACK

1RCF39120000 MT-09 CLUTCH LEVER BLACK

Exclusively designed and produced by Gilles Tooling a set of brake and clutch levers. The brake lever is redesigned to position it closer to the hand grip

- Featuring Gilles Tooling logo on both sides
- Material: black anodised high quality billet aluminium



\* Picture shown is not the final product

### Rear set

1RCF81100000 MT-09 REAR SET BLACK

Exclusively designed and produced by Gilles Tooling rear set to replace the original. Fully and easily adjustable in a lot of different positions and height to find your own optimum position to get the best comfort or the sportiest riding position.

- Featuring MT-09 logo on one side and Gilles Tooling logo on both sides
- Material: black and silver anodised high quality billet aluminium



\* Picture shown is not the final product

### Side stand extension

1RCF73110000 MT-09 SIDE STAND EXTENSION ALU

Exclusively designed and produced by SW-Motech this billet anodised aluminium plate extension. When clamping around the side stand end it gives more surface to it to avoid sinking into the mud or sand.

- Features the MT-09 logo
- Material: billet and anodized high quality aluminum



\* Picture shown is not the final product

### Tank pad

1RCFTPAD0000 MT-09 TANK PAD

Stylish protective pad exclusively designed for the MT-09 fuel tank.

- Protects fuel tank from scratches from zipper rider's jacket
- Features the MT-09 logo
- Material: Solid resin



### Akrapovič Titanium full exhaust system

Part number to be confirmed

Our partner Akrapovič is developing a full street legal exhaust system with titanium end muffler to have improved appearance, sound and performance compared to the stock exhaust.

**This is a non Yamaha branded product and is fully developed and produced by Akrapovič.**





### Soft side bags & Tank bags

- YMESSBAG0000 SOFT SIDE BAGS
- 1RCFSSBS0000 MT-09 STAY SOFT SIDE BAGS
- 14BFSSBS0000 YZF-R1 STAY SOFT SIDE BAGS
- 13SFSSBS0000 YZF-R6 STAY SOFT SIDE BAGS
- 3C3FSSBS0000 FZ1-FZ8 STAY SOFT SIDE BAGS
- 20SFSSBS0000 XJ6 STAY SOFT SIDE BAGS
- YMEFTBAGTR00 TANK BAG - TOUR
- YMEFTBAGCT00 TANK BAG - CITY
- YMEFTBAGRG00 TANK BAG RING

For carrying luggage on the MT-09 and the other motorcycles in the wide Yamaha range, Yamaha introduces a range of well designed soft luggage solutions. Soft side cases that are easy to mount and of which the volume can be expanded. The stays make sure the soft side bags are well positioned and do not cause movements of the soft side bags. The stays are easy to remove so in case you do not use the soft side bags the unique design of your Yamaha is not disturbed.

In the same style Yamaha also introduces two tank bags of different volume. A large (15-22L) Tour and a smaller yet still very useful (11-15L) City tank bag. Both tank bags can be mounted to a fixed tank ring around the fuel lid for easy and quick mounting and dismounting of the tank bag.



\* Picture shown is not the final product



\* Picture shown is not the final product

### iPhone holders

YMEPHHLS0000 IPHONE HOLDER SMALL  
YMEPHHLB0000 IPHONE HOLDER BIG

Mount base and water proof holder for iPhone3, iPhone4 and iPhone5

- Mounting on the back side of the instrument panel
- Suitable to mount the iPhone3 and iPhone4 (small version) and the iPhone5 (big version)
- Stay specially designed specifically for the MT-09



### GPS stay

1RC234A00000 MT-09 GPS STAY

Mount base for satellite navigation equipment

- Top yoke mounting
- Suitable to mount the most common motorcycle GPS systems (Garmin and TomTom)
- Designed specifically for the MT-09



### 12V & USB sockets

1RCF254B0000 MT-09 12V DC KIT  
YMEFUSBA0000 USB ADAPTOR

Device to charge your electronic equipment such as mobile phone or MP3 player

- Max. load 1 Amp (as shown on the included warning sticker)
- Fused to avoid damage to your MT-09 in case of a short circuit
- For USB connectors we have introduced the plug-in adaptor